

Operating Microscope OM-9

A New Compact High-performance Operating Microscope



OM-9 is a new Compact High-performance Operating Microscope delivering high efficiency and versatile functionality, complete with new state of the art LED light source.

OM-9 is the perfect choice giving complete product satisfaction to the operator, and offering the highest level of patient safety.



Operating Microscope OM-9



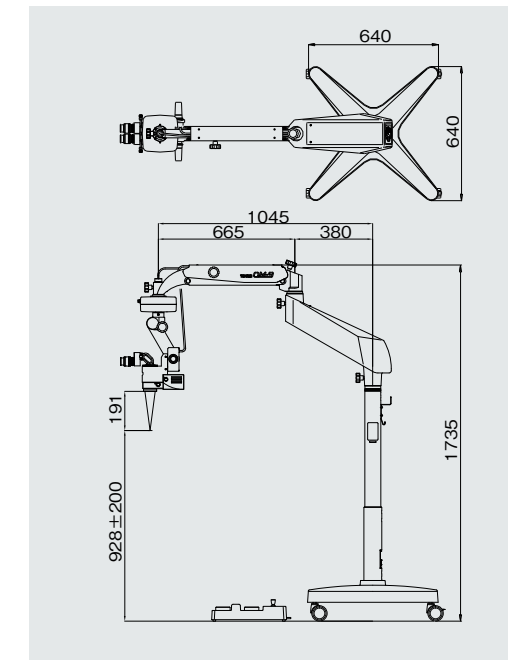
Serving your vision



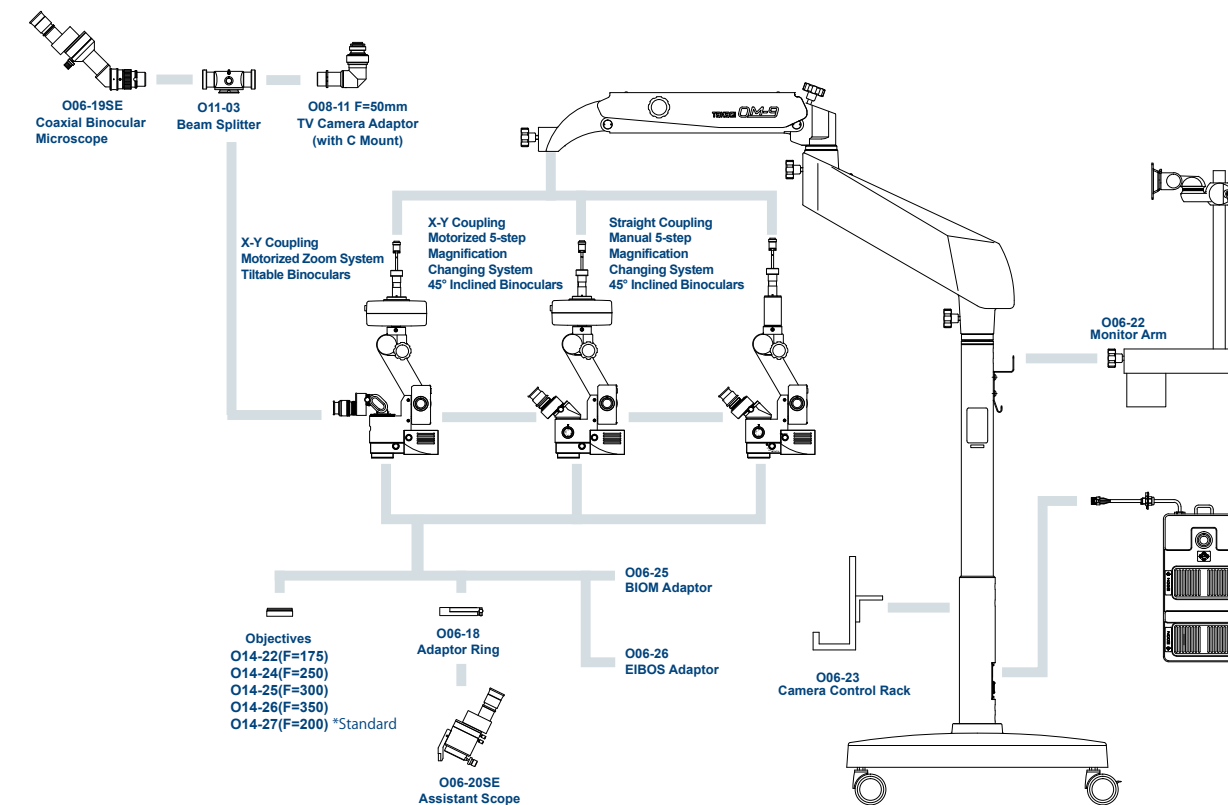
Major Specifications

Microscope	Magnification changer	Motorized zoom type (zoom ratio 1:5)	Motorized 5-step magnification changing type	Manual 5-step magnification changing type
	Objective	F=200mm (apochromatic corrected optics)		
	Eyepieces	10x (high-eyepoint & wide field)	16x (high-eyepoint & wide field)	
	Binoculars	Tilttable binocular tubes F=170mm	45° inclined binocular tubes F=125mm	
	Total magnifications	4.1x to 20.4x	4x,6x,10x,16x,25x	
Illumination	Real fields of view	φ49mm to φ9.8mm	φ56,φ37.3,φ22.4,φ14,φ9mm	
	Focussing stroke	30mm		
	X-Y movement stroke	±25mm in each direction (with centering function)		
	System	Direct illumination		
	Light source	LED		
Arm,base	Field of illumination	φ60mm		
	Illumination control	9 steps		
	Filters	Heat-absorbing, Blue correction filter, Yellow filter, Retinal protection		
Others	Mount	Floor stand		
	Maximum arm extension	1045mm		
	Arm vertical stroke	400mm		
	Base size	640mm x 640mm		
Others	Weight	90kg		
	Power consumption	70VA		
Power supply	AC120V, AC230V; 50/60Hz			

Dimensions



Optional Components



● Design and specifications are subject to change as improvements are made to the product.



330-2 IWAFUNE, NAKANO-SHI, NAGANO-KEN, 383-8585, JAPAN
TEL.+81-269-22-4512 FAX.+81-269-26-6321
URL:http://www.takagi-j.com E-mail:info@takagi-j.com





Design

Renewed Design

- Most cables are concealed minimizing dust attachments and reducing interference between operator and instrument.
- Cables for connecting an imaging system can also be concealed, achieving a sleek stylish hygienic design.
- New product color scheme adds to the overall high quality feeling.



* The above image on the monitor is created by inlay. An actual image may be different from it.

LED

Use of High-luminance LED light source

- New red reflex illumination combined with a high luminance LED gives OM-9 a brighter reflected light from the fundus.
- Bright and sharp LED having excellent color reproducibility is used for OM-9.

Reduction of the Characteristic Blue Light of LED

- The projected light is soft and easy on patient's eyes by reducing the peak of the characteristic blue wavelength of LED.



Optical Design

New Optical System

- New OM-9 optics are suitable for both cataract and vitreoretinal surgery.
- By adopting a standard objective lens F=200 mm, the OM-9 is fully suited for vitreoretinal surgery. (compatible with a BIOM viewing system)
- 10x eyepieces bring a wider, brighter & sharper view with a larger depth of focus.



Usability

Tiltable Binocular Tubes

- Tiltable binocular tubes available, which can incline more than 90° depending on the posture and physique of the operating surgeon.
Movable range: 0° (straight) to 90° (inclined)



Various options

- Various options are available.
For details, contact our distributor or our Sales Department.

Microscope Tilting Mechanism

- By adopting the knob interlock system, the microscope tilts back and forth easily, necessary in the application of glaucoma surgery.
Movable range: around ±30°



Fundus Observation Devices Adaptations

- Oculus BIOM adaptation is available for OM-9.
- For details, contact our distributor or our Sales Department.

Microscope Specifications

Motorized Zoom System

- Motorized zoom microscope, tiltable binocular tubes, X-Y coupling



Motorized 5-step Magnification Changing System

- Motorized 5-step magnification microscope, 45° inclined binocular tubes, X-Y coupling



Manual 5-step Magnification Changing System

- Manual 5-step magnification microscope, 45° inclined binocular tubes, straight coupling



Examples of Combinations

Configuration ID	Voltage	Coupling	Microscope	Binoculars
OM9XZ100	AC 100V	X-Y Coupling	Motorized Zoom System	Tiltable Binoculars
OM9XZ120	AC 120V			
OM9XZ230	AC 230V			
OM9XE100	AC 100V	X-Y Coupling	Motorized 5-step Magnification Changing System	45° Inclined Binoculars
OM9XE120	AC 120V			
OM9XE230	AC 230V			
OM9SM100	AC 100V	Straight Coupling	Manual 5-step Magnification Changing System	45° Inclined Binoculars
OM9SM120	AC 120V			
OM9SM230	AC 230V			