

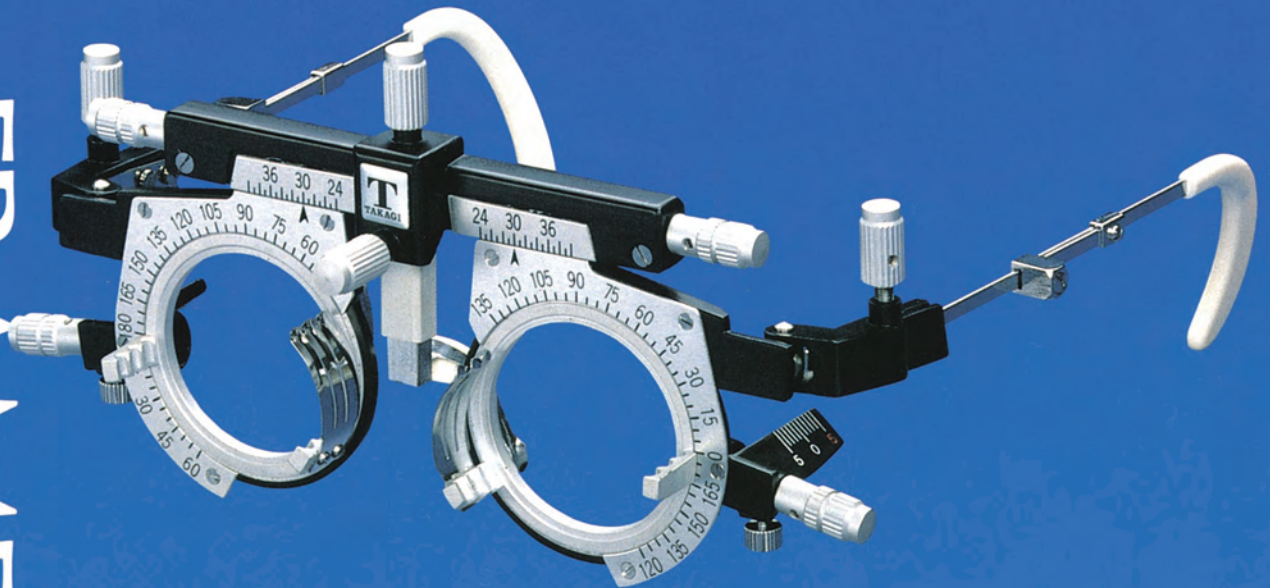


TRIAL FRAME

MODEL MT-374

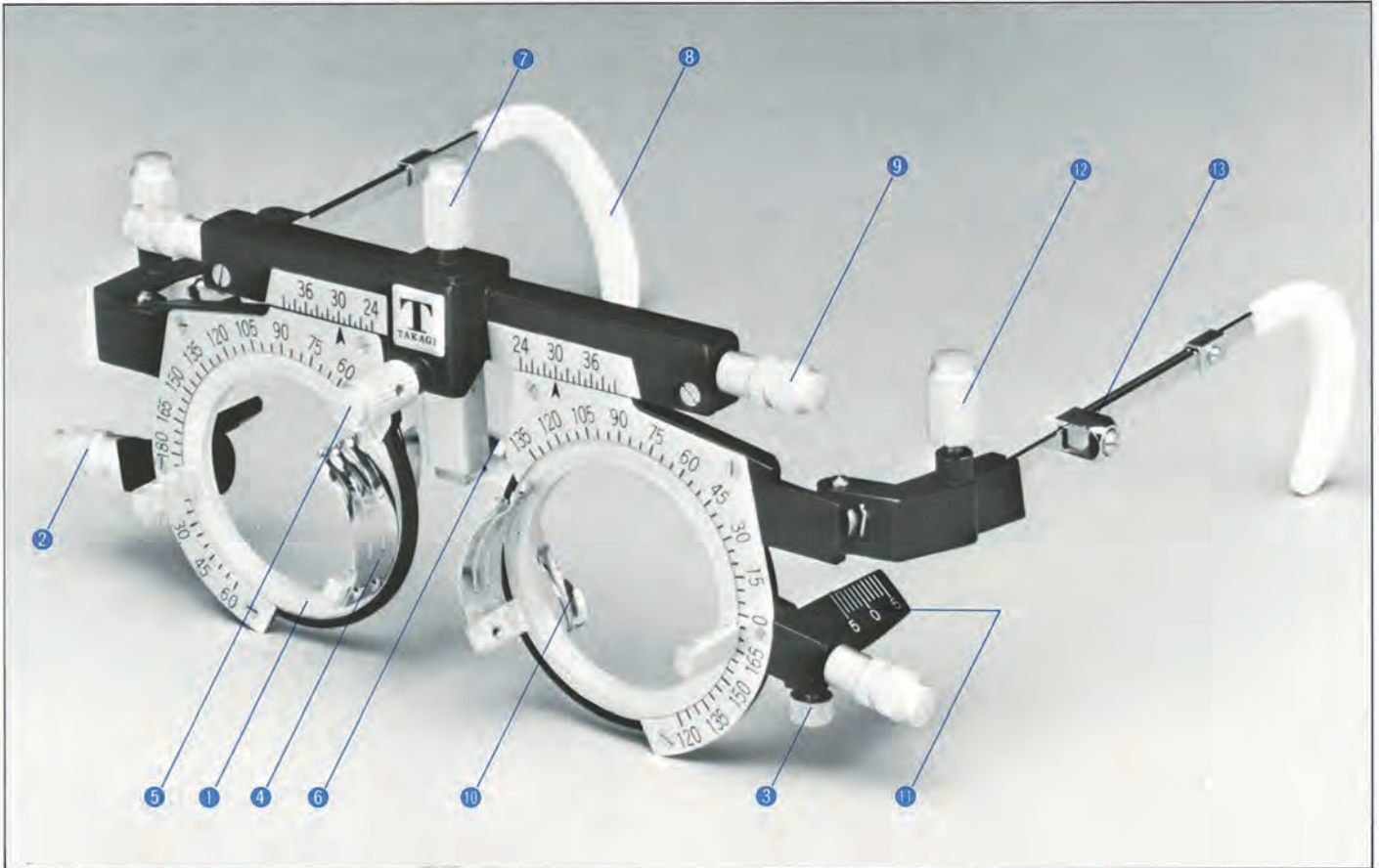
OPHTHALMIC OPTICAL INSTRUMENTS

TRIAL FRAME



Aiming at a new stage in quality.

TAKAGI Engineer's staff could created the latest universal Trial Frame which have achieved complete professional acceptance. Professional will be satisfied with the various featurers of Elegant design, Light weight metal, Solid-finish and Operation easily etc.



Description

1. Swivel Ring	6. Nose Pad	11. Corneal Aligning scale
2. Swivel Ring Knob	7. Adjusting knob for top side	12. Adjusting Knob for Temple
3. Locking Knob	8. Temple	13. Expanding Knob for Temple
4. Front side Lens Holder	9. Adjusting Knob for Pad	
5. Adjusting Knob for Nose pad	10. Back Side Lens Holder	

Specifications

P.D. adjustment : 48-80mm (min. graduation 1mm)
 Corneal Aligning Scale : 0 ± 5mm (min. graduation 1mm)
 Cylinder Axis Angle : 45° ~ 180° ~ 60° (right)
 120° ~ 0° ~ 135° (left)
 (min. graduation 5°)

Numbers of fitting trial lens : available max. 4 pairs

It has the variable adjusting knobs for top side, pad, the vertical and horizontal movement of temple. Temple length and angle are easily set.

Kindly note that specifications may vary as improvements are carried out in the design.